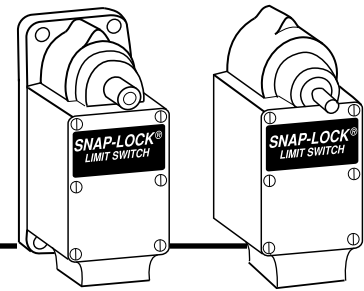


Single Pole
Standard Environment

Limit Switches

Butt Contacts



Limit Switches

EA080

Single pole, double throw, heavy duty limit switch having mechanical travel of 10° to trip and with one normally open and one normally closed circuit. Can be furnished with wide and long mountings.

EA060

With mechanical travel of 6-1/2° required to trip, this heavy duty limit switch operates

with one normally open and one normally closed circuit. Can be furnished with wide and long mountings.

EA040

Designed for applications where a neutral position is essential in operation. This series provides the same snap locking action of the other series of Snap-Lock switches.

EA700

The versatility of the Snap-Lock mechanism is gained through the use of a series of uniquely designed cams. The cam and cam mechanism allow features such as bi-directional operation and generous overtravel. These features make the EA700 Series one of the most popular. Can be furnished with standard, wide or long mounting.

EA060 & EA080 Single Pole 1 N.O. - 1 N.C. / EA040 2 N.O. / Butt Contacts / Standard Travel / Rocker Type

Standard Mounting Model No.	Wide Mounting Model No.	Long Mounting Model No.	Dir. Of Operation	Angle A Trip Travel	Angle B Reset Travel	Angle C Recom. Travel	Angle D Total Travel	Angle E Min. Travel to Maintain	Angle F Overall Travel	Torque (inch lbs)	Contact Config.	Data Drawing
NEUTRAL POSITION												
-	EA040-21100	EA040-11100	CW/CCW	7°	6°	7°30'	33°	-	-	22	C	1
SHORT TRAVEL												
-	EA060-21100	EA060-11100	CW	6°30'	4°	7°	35°	-	-	24	A	1
-	EA060-22100	EA060-12100	CCW	6°30'	4°	7°	35°	-	-	24	B	1
-	EA060-23100	EA060-13100	Maintained	6°30'	4°	7°	35°	-	-	12	-	1
STANDARD TRAVEL												
-	EA080-21100	EA080-11100	CW	10°	8°	13°	38°	-	-	14	A	1
-	EA080-22100	EA080-12100	CCW	10°	8°	13°	38°	-	-	14	B	1
-	EA080-23100	EA080-13100	Maintained	10°	8°	13°	38°	-	-	5	-	1

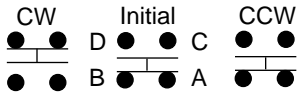
EA700 Single Pole 1 N.O. - 1 N.C. / Butt Contacts / Cam Action

Standard Mounting Model No.	Wide Mounting Model No.	Long Mounting Model No.	Dir. Of Operation	Angle A Trip Travel	Angle B Reset Travel	Angle C Recom. Travel	Angle D Total Travel	Angle E Min. Travel to Maintain	Angle F Overall Travel	Torque (inch lbs)	Contact Config.	Data Drawing
STANDARD TRAVEL												
EA700-10000	EA700-40000	EA700-70000	CW	18°	14°	30°	90°	-	-	15	A	1
EA700-10001	EA700-40001	EA700-70001	CCW	18°	14°	30°	90°	-	-	15	D	1
EA700-10100	EA700-40100	EA700-70100	CW/CCW	18°	14°	30°	90°	-	-	15	E	1
MAINTAIN CONTACT AND LEVER POSITION												
EA700-16000	EA700-46000	EA700-76000	CW	55°	22°	60°	116°	55°	64°	6	J	2
			CCW	25°	25°	60°	124°	54°	56°	9		
MAINTAIN CONTACTS AND SPRING RETURN LEVER POSITION												
EA700-16700	EA700-46700	EA700-76700	CW	30°	26°	45°	90°	30°	-	12	J	3
			CCW	16°	30°	45°	90°	26°	-	13.5		
NEUTRAL POSITION - ALL CONTACTS OPEN												
EA700-15000	EA700-45000	EA700-75000	CW	11°	9°	45°	90°	-	-	18	F	1
			CCW	35°	13°	45°	90°	-	-	13.5		
NEUTRAL POSITION - ALL CONTACTS CLOSED												
EA700-15100	EA700-45100	EA700-75100	CW	11°	9°	45°	90°	-	-	18	G	1
			CCW	35°	13°	45°	90°	-	-	13.5		
NEUTRAL POSITION - ALL CONTACTS OPEN												
EA700-15700	EA700-45700	EA700-75700	CW	31°	22°	45°	90°	-	-	15	H	1
			CCW	31°	12°	45°	90°	-	-	19.5		
NEUTRAL POSITION - ALL CONTACTS CLOSED												
EA700-15800	EA700-45800	EA700-75800	CW	31°	22°	45°	90°	-	-	15	I	1
			CCW	31°	12°	45°	90°	-	-	19.5		

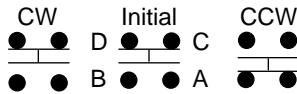
See Operating Levers Section

Contact Configurations

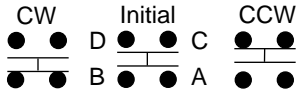
CIRCUIT A



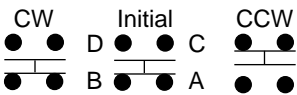
CIRCUIT B



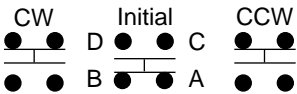
CIRCUIT C



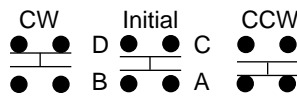
CIRCUIT D



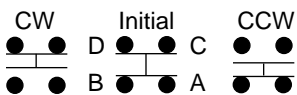
CIRCUIT E



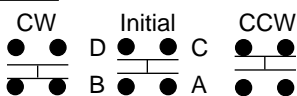
CIRCUIT F



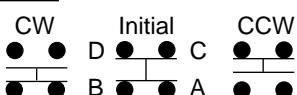
CIRCUIT G



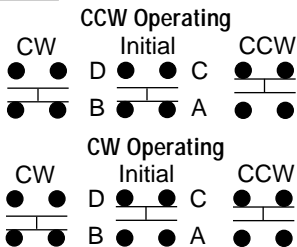
CIRCUIT H



CIRCUIT I

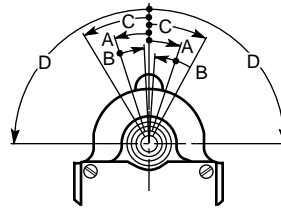


CIRCUIT J

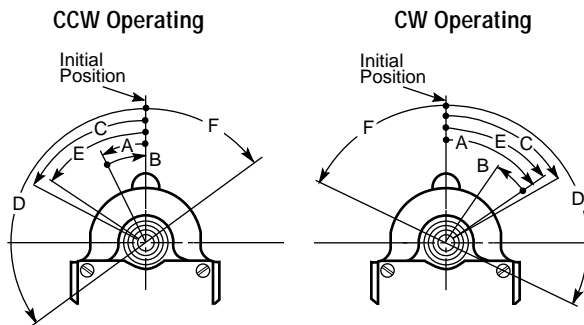


Operational Data Drawings

DRAWING #1

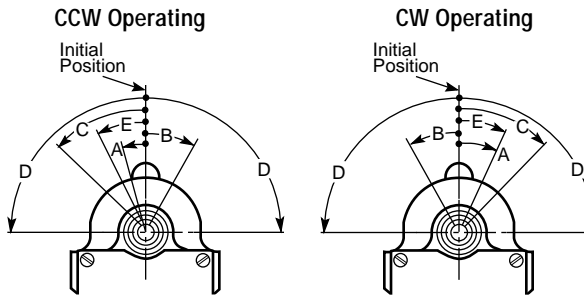


DRAWING #2



To change switch operation from CW operating to CCW operating, operate switch through angle E. Remove lever and reset at initial position.

DRAWING #3



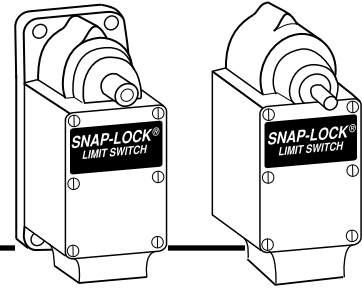
To change switch operation from CW operating to CCW operating, operate switch through angle E.



Single Pole
Standard Environment

Limit Switches

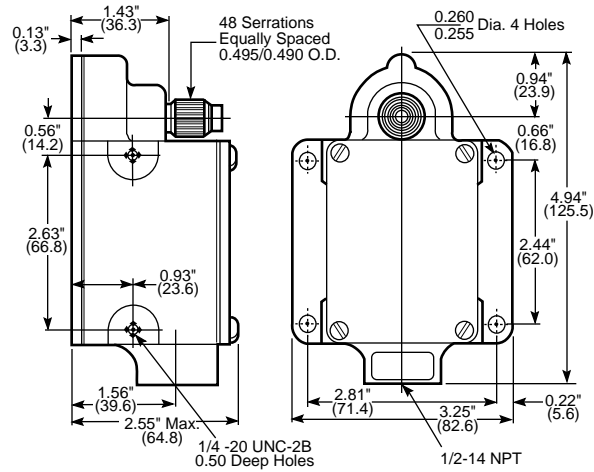
Butt Contacts



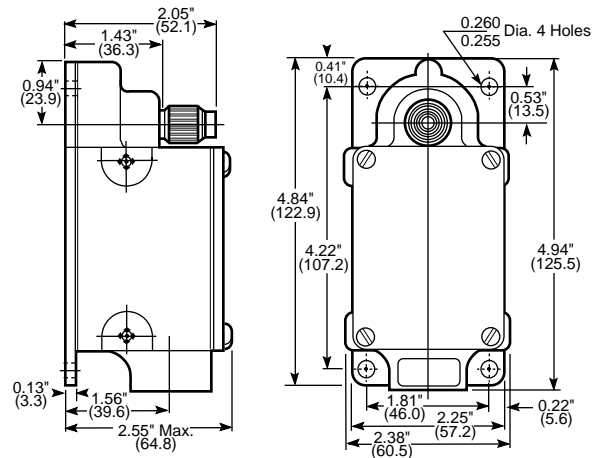
Limit Switches

EA040/060/080 Series Drawings

WIDE MOUNTING PLATE

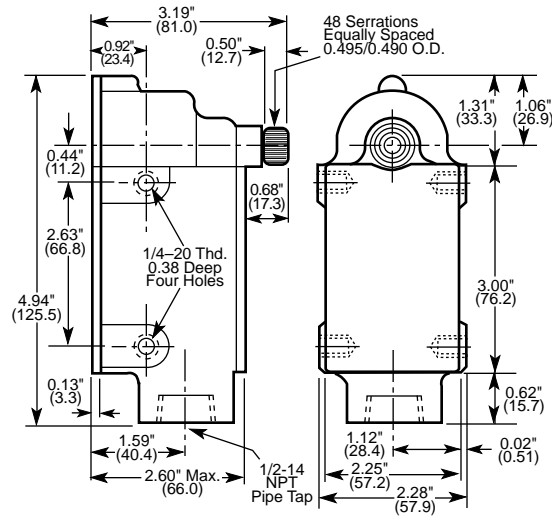


LONG MOUNTING PLATE

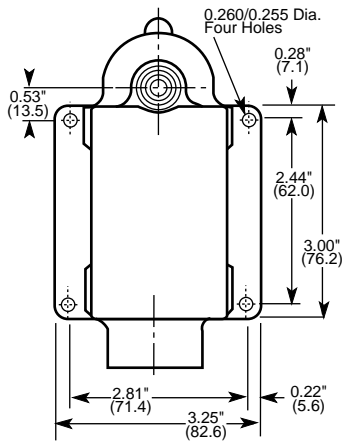


Dimensions: inches/(mm)

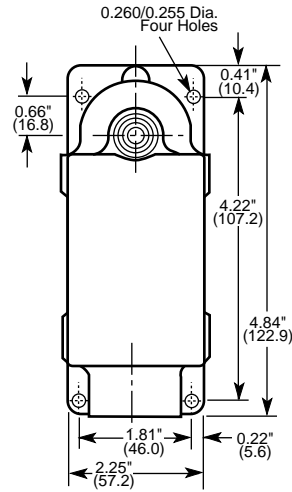
STANDARD MOUNTING PLATE



WIDE MOUNTING PLATE



LONG MOUNTING PLATE



Dimensions: inches/(mm)

Limit Switches

Common Switch Characteristics

	SINGLE POLE, STANDARD ENVIRONMENT, BUTT CONTACTS	
	EA040, 060, 080	EA700
NEMA Enclosure Type	1, 4, 13	
Housing Material	Zinc	
Ambient Temperature Range*	-20°C to +90°C	
Shipping Weight	2.3 lbs. approx.	3 lbs. approx.
Lever Adjustment	7°30' Increments thru 167°	7°30' Increments thru 360°
Contacts	Butt, Silver Alloy, Form Z	

*Some high temperature (+20°C to 180°C) and low temperature (-40°C to +90°C) versions available. Contact factory.

Continuous Current Rating - Amperes

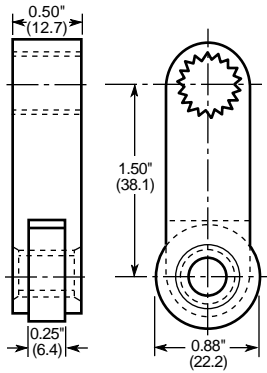
VOLTAGE	AC		DC
	125	20.0	5.0
250	15.0	1.5	
480	10.0	-	
600	5.0	-	

75-100% Power Factor



2013 West Meeting Street • Lancaster, SC 29720
 1-803-286-8491 • FAX: 1-800-678-6263
 www.namcocontrols.com

For technical assistance, call 1-800-NAMTECH



Standard Operating Lever
EL010-53420 (D-1260)
(for .500 Dia. Shaft Switches)

For Series:

**EA040, EA060, EA080,
EA130, EA140, EA170,
EA700, EA710, EA730,
EA760, EA770, EA780,
EA790, EA800, EA880,
EA990**

Select the operating lever for your application with regards to dimensions and materials required.

Requests for operating levers not shown should include lever style and all pertinent information as to limit switch number, dimensions, materials, etc.

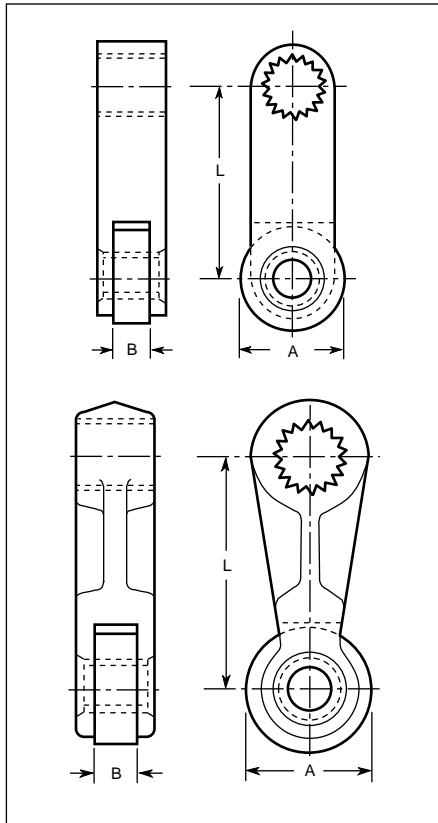
Depending upon your application, levers are available in cold rolled steel, stainless steel, or bronze. Rollers are available in steel, nylon, Beryl Cop., stainless steel or steel ball bearings. Please consult materials column of the lever of your choice.

This style and size operating lever is considered standard for the majority of snap-lock switch installations. The EL010-53420 (D1260) lever is steel with a nylon roller and a stainless steel roller pin. Like all snap-lock levers, the serrated mounting hole matches the serrated lever shaft of the switches to provide fixed adjustment of the lever in 7.5° increments.

For Series EA040, 060, 080,
130, 140, 170, 700, 710,
730, 760, 770, 780, 790,
800, 880, 990

Style R - Regular Straight Type

EL Series



Ordering Numbers					Material	
Part Number	Reference	L	A	B	Lever	Roller
EL060-50320	D1260BA	3/4	3/4	1/4	C.R.S.	C.R.S.
EL060-51319	—	1	3/4	1/4	C.R.S.	Bryl. Cop.
EL060-52321	D1260GQ	1-1/4	3/4	1/4	C.R.S.	C.R.S.
EL060-53923	D1260BH	1-1/2	1-1/4	1/4	C.R.S.	C.R.S.
EL010-53338	DS1260	1-1/2	3/4	1/4	Steel	C.R.S.
EL060-53300	—	1-1/2	3/4	1/4	Brass	Bryl. Cop.
EL010-53336	—	1-1/2	3/4	1/4	Steel	S.S.
EL010-53337	—	1-1/2	3/4	1/4	Steel	Bryl. Cop.
EL060-53401	D1260RF	1-1/2	7/8	9/32	Brass	Nylon
EL060-53402	—	1-1/2	7/8	9/32	Brass	Bryl. Cop.
EL010-53420	D1260	1-1/2	7/8	9/32	Steel	Nylon
EL010-53429	D1260Y	1-1/2	7/8	9/32	Steel	B.B.
EL060-53536	D1260Z	1-1/2	1	1/4	C.R.S.	C.R.S.
EL060-53926	D1260CL	1-1/2	1-3/8	1/4	C.R.S.	C.R.S.
EL060-55327	D1260E	2	3/4	1/4	C.R.S.	C.R.S.
EL060-55300	—	2	3/4	1/4	C.R.S.	Bryl. Cop.
EL060-55520	D1260AC	2	1	1/4	C.R.S.	C.R.S.
EL060-55601	—	2	1	1/4	C.R.S.	Bryl. Cop.
EL060-55530	D1260RT	2	1	1/4	Brass	Bryl. Cop.
EL060-55927	D1260GT	2	1-1/2	1/4	C.R.S.	C.R.S.
EL060-50321	D1260BC	2-1/8	3/4	1/4	C.R.S.	C.R.S.
EL060-50501	D1260B	2-1/8	1	1/4	C.R.S.	C.R.S.
EL060-50334	D1260M	2-1/4	3/4	1/4	C.R.S.	C.R.S.
EL060-59300	D1260KC	2-3/8	3/4	1/4	C.R.S.	C.R.S.
EL010-56427	D1260K	2-1/2	7/8	9/32	Steel	Nylon
EL010-56334	DS1260K	2-1/2	3/4	1/4	Steel	C.R.S.
EL010-55421	D1260DF	2-1/2	1	1/4	C.R.S.	C.R.S.
EL060-56500	D1260RR	2-1/2	1	1/4	Brass	Bryl. Cop.
EL060-56920	D1260CP	2-1/2	1-1/2	1/4	C.R.S.	C.R.S.
EL060-50322	D1260BD	2-3/4	3/4	1/4	C.R.S.	C.R.S.
EL060-57300	—	2-3/4	3/4	1/4	C.R.S.	Bryl. Cop.
EL010-58300	—	3	3/4	1/4	Steel	Bryl. Cop.
EL010-58337	DS1260L	3	3/4	1/4	Steel	C.R.S.
EL060-58305	—	3	3/4	1/4	Brass	Bryl. Cop.
EL010-58400	—	3	7/8	9/32	Steel	Bryl. Cop.
EL010-58423	D1260L	3	7/8	9/32	Steel	Nylon
EL010-58451	—	3	7/8	9/32	Steel	C.R.S.
EL060-58401	—	3	7/8	9/32	Brass	Nylon
EL060-58403	D1260VQ	3	7/8	9/32	S.S.	Bryl. Cop.
EL010-58521	D1260CJ	3	1	1/4	Steel	C.R.S.
EL010-58522	—	3	1	1/4	C.R.S.	Bryl. Cop.
EL010-58923	D1260CN	3	1-1/4	1/4	Steel	C.R.S.
EL060-58923	—	3	1-1/4	1/4	Brass	Steel
EL010-58900	D1260VR	3	1-1/2	1/4	Steel	Nylon
EL010-58920	D1260AE	3	1-1/2	1/4	Steel	C.R.S.
EL060-58320	D1260BB	3-1/2	3/4	1/4	C.R.S.	C.R.S.
EL060-58431	D1260AP	3-1/2	1	1/4	C.R.S.	C.R.S.
EL060-58932	—	3-1/2	3/4	1/4	Brass	Bryl. Cop.
EL060-58930	—	3-1/2	1-1/2	1/4	Brass	Bryl. Cop.
EL060-58326	D1260C	4	3/4	1/4	C.R.S.	C.R.S.
EL060-58304	D1260WD	4	3/4	1/4	C.R.S.	Bryl. Cop.
EL060-50523	D1260BL	4	1	1/4	C.R.S.	C.R.S.
EL060-58925	—	4	1-1/4	1/4	Brass	Bryl. Cop.
EL060-58920	D1260AB	4	1-1/2	1/4	C.R.S.	C.R.S.
EL060-58901	—	4	1-1/2	9/32	C.R.S.	Nylon
EL060-50335	D1260N	5	3/4	1/4	C.R.S.	C.R.S.
EL060-50925	D1260BW	5	1-1/2	1/4	C.R.S.	C.R.S.
EL060-50305	D1260CQ	6	3/4	1/4	C.R.S.	C.R.S.
EL060-50338	—	6	3/4	1/4	C.R.S.	Bryl. Cop.
EL060-50930	D1260JE	6	1-1/4	1/4	C.R.S.	C.R.S.
EL060-50703	D1260KD	6	3	1/4	C.R.S.	C.R.S.

All dimensions are in inches.



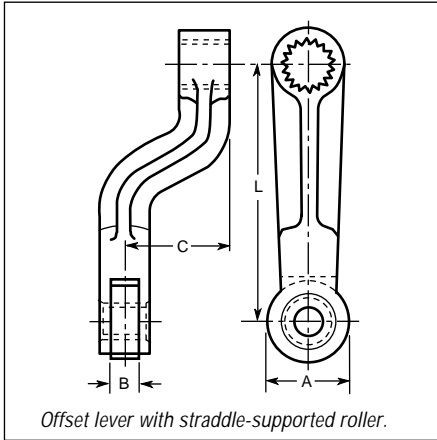
Namco Controls Corporation

Mayfield Village, OH 44143

(440) 460-1360 • FAX (440) 460-3800 • namcocontrols.com

For technical assistance, call 1-800-NAMTECH

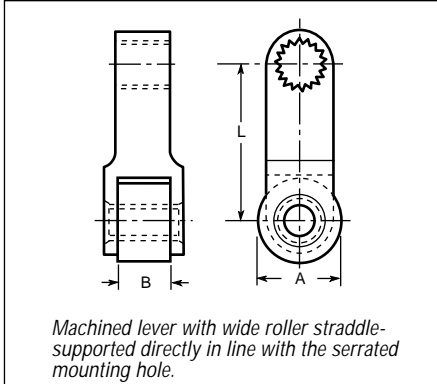
For Series EA040, 060, 080, 130,
140, 170, 700, 710, 730, 760,
770, 780, 790, 800, 880, 990 Only



Style RLO - Regular Lever Offset Type

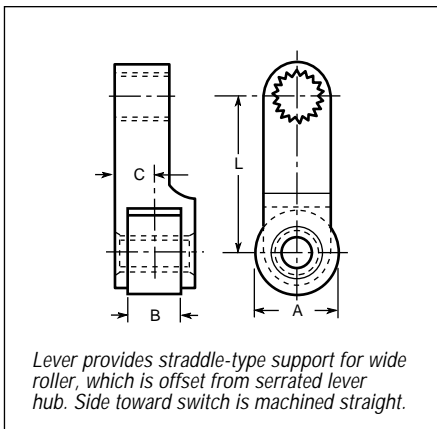
Ordering Numbers						Material	
Part Number	Reference	L	A	B	C	Lever	Roller
*EL020-53326	D1260GX	1-1/2	3/4	1/4	1-1/4	Mang. Br.	Steel
*EL020-53325	D1260GU	1-1/2	3/4	1/4	1-3/16	Mang. Br.	Steel
EL020-55327	D1260HZ	2	3/4	1/4	1-1/8	Mang. Br.	Steel
*EL020-55300	D1260JD	2	3/4	1/4	1-1/2	Mang. Br.	Steel
EL020-56320	D1260BT	2-1/2	3/4	1/4	1	Mang. Br.	Steel
*EL020-56321	D1260DW	2-1/2	3/4	1/4	2-1/4	Mang. Br.	Steel
EL020-56421	D1260DG	2-1/2	1	1/4	1	Mang. Br.	Steel
EL020-58922	D1260FT	3	1-1/4	1/4	1-1/4	Mang. Br.	Steel
EL020-58923	—	3	1-1/4	1/4	1-1/4	Mang. Br.	S.S.
EL020-59900	D1260AY	5-1/2	1-1/2	1/4	1-3/4	C.R.S.	Steel

*On Series EA040/060/080/170, Lever will not clear top of switch when mounted with Roller facing the rear.



Style RW - Wide Roller Regular Type

Ordering Numbers					Material	
Part Number	Reference	L	A	B	Lever	Roller
EL070-53501	D1260AJ	1-1/2	1	1/2	C.R.S.	Bryl. Cop.
EL070-50507	D1260CY	1-5/8	1	1/2	C.R.S.	Bryl. Cop.
EL070-56921	D1260DY	2-1/2	1-1/4	1/2	C.R.S.	Steel
EL060-00024	D1260AL	3	1-1/2	1/2	C.R.S.	Steel
EL070-50921	D1260BE	4	1-1/4	1/2	C.R.S.	Steel

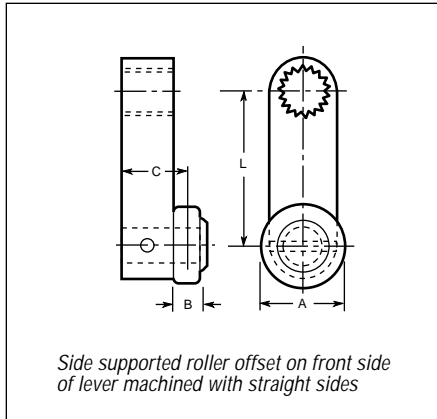


Style RWO - Wide Roller Offset Type

Ordering Numbers						Material	
Part Number	Reference	L	A	B	C	Lever	Roller
EL080-53329	D1260R	1-1/2	3/4	1/2	3/8	Mang. Br.	Steel
EL080-53932	D1260P	1-1/2	1-1/2	1/2	3/8	C.R.S.	Steel
EL080-55323	D1260FR	2	3/4	1/2	3/8	C.R.S.	Steel
EL080-54905	D1260DD	2	1-1/2	1/2	3/8	C.R.S.	C.R.S.
EL080-56301	D1260AH	2-1/2	3/4	1/2	3/8	C.R.S.	Steel
EL080-56305	—	2-1/2	3/4	1/2	3/8	C.R.S.	Bryl. Cop.
EL080-58322	D1260GN	3	3/4	1/2	3/8	C.R.S.	Steel
EL080-58901	D1260DE	3	1-1/2	1/2	3/8	C.R.S.	Steel
EL080-58906	D1260DZ	3-1/2	1-1/2	1/2	3/8	C.R.S.	Steel
EL080-58909	D1260HA	4	1-1/2	1/2	3/8	C.R.S.	Steel
EL080-50924	D1260BS	6	1-1/2	1/2	3/8	C.R.S.	Steel

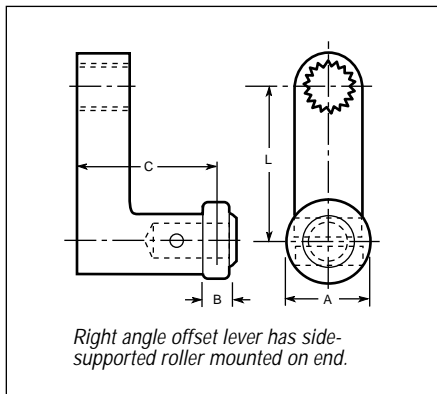
For Series EA040, 060, 080, 130,
140, 170, 700, 710, 730, 760,
770, 780, 790, 800, 880, 990 Only

EL Series



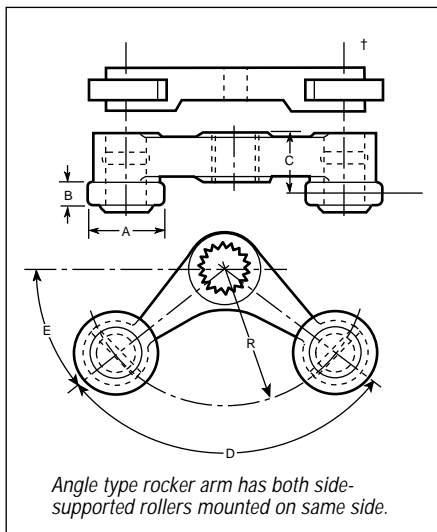
Style S - Side Roller Type

Ordering Numbers						Material		
Part Number	Reference	L	A	B	C	Lever	Roller	
EL150-53303	—	1-1/2	3/4	3/4	7/8	C.R.S.	Bryl. Cop.	
EL150-53301	D1260A	1-1/2	3/4	1/4	5/8	C.R.S.	Steel	
EL150-53300	D1260DU	1-1/2	3/4	3/4	7/8	C.R.S.	Steel	
EL150-53901	D1260HV	1-1/2	1-1/4	1/4	5/8	C.R.S.	Steel	
EL150-55300	—	2	3/4	1/2	3/4	C.R.S.	Bryl. Cop.	
EL150-55303	D1260DT	2	3/4	1/4	5/8	C.R.S.	Steel	
EL150-55301	D1260JJ	2	3/4	1/2	3/4	C.R.S.	C.R.S.	
EL150-56300	D1260DX	2-1/2	3/4	1/4	5/8	C.R.S.	C.R.S.	
EL150-56500	—	2-1/2	1	1/2	3/4	C.R.S.	S.S.	
EL150-57300	D1260DO	2-3/4	3/4	1/4	5/8	C.R.S.	C.R.S.	
EL150-58901	—	4	1-1/4	1/4	5/8	Bronze	Nylon	
EL150-58902	—	4	1-1/4	1/4	5/8	Bronze	Steel	



Style SLO - Side Roller Lever Offset Type

Ordering Numbers						Material		
Part Number	Reference	L	A	B	C	Lever	Roller	
EL090-53324	D1260GZ	1-1/2	3/4	1/4	1	Bronze	Steel	
EL090-53336	—	1-1/2	3/4	1/4	1-3/8	Bronze	Nylon	
EL090-53321	D1260CT	1-1/2	3/4	1/4	1-3/8	Bronze	Steel	
EL090-53322	—	1-1/2	3/4	1/4	1-3/8	Bronze	Bryl. Cop.	
EL090-53328	D1260GV	1-1/2	3/4	1/4	2	Bronze	Steel	



Style TS - Two Roller Same Side

Ordering Numbers							Material		
Part Number	Reference	R	A	B	C	D	E	Lever	Roller
EL040-50327	D1260CM	1-3/8	3/4	1/4	5/8	107°34'	36°	Bronze	Steel
EL040-50328	D1260JQ	1-3/8	3/4	1/2	3/4	107°34'	36°	Bronze	Steel
†EL040-58904	D1260JH	3	1-1/2	1/2	3/4	150°	15°	Bronze	Steel
†EL040-58905	—	3	1-1/2	1/2	3/4	150°	15°	Bronze	Bryl. Cop.

NAMCO

Namco Controls Corporation

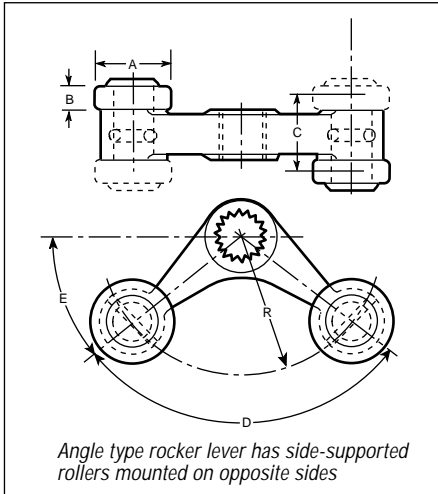
Mayfield Village, OH 44143

(440) 460-1360 • FAX (440) 460-3800 • namcocontrols.com

For technical assistance, call 1-800-NAMTECH

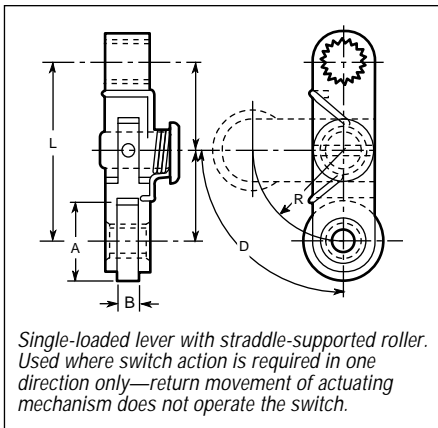
Limit Switches

For Series EA040, 060, 080, 130,
140, 170, 700, 710, 730, 760,
770, 780, 790, 800, 880, 990 Only



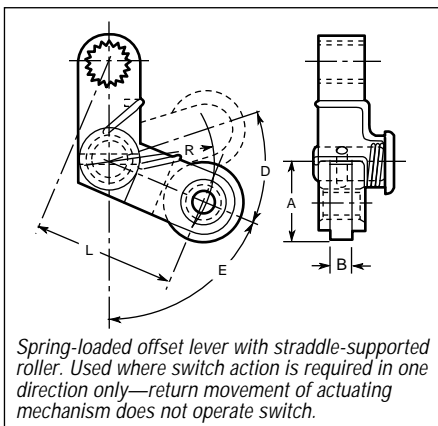
Style TSO - Two Roller Opposite Side

Ordering Numbers								Material	
Part Number	Reference	R	A	B	C	D	E	Lever	Roller
EL030-50301	D1260AA	1-3/8	3/4	1/4	3/4	107°34'	36°13'	Bronze	Steel
EL030-50302	D1260DH	1-3/8	3/4	1/2	1	107°34'	36°13'	Bronze	Steel
EL030-52322	D1260DQ	1-1/2	3/4	3/4	1-1/4	90°	45°	Bronze	Steel



Style KR - Knee Action Straight Type

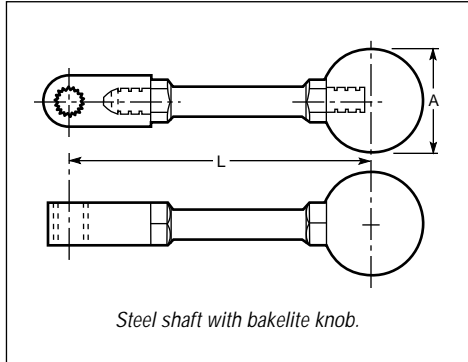
Ordering Numbers							Material	
Part Number	Reference	R	A	B	D	L	Lever	Roller
EL100-55401	D1260JM	1	7/8	1/4	90°	2	Steel	Steel
EL100-55402	—	1	7/8	1/4	90°	2	Steel	Bryl. Cop.
EL100-55403	—	1	7/8	1/4	90°	2	Steel	S.S.



Style KRO - Knee Action Offset Type

Ordering Numbers							Material		
Part Number	Reference	R	A	B	D	E	L	Lever	Roller
EL110-50401	D1260JV	1-1/8	7/8	1/4	41°30'	67°30'	1-7/8	Steel	Steel

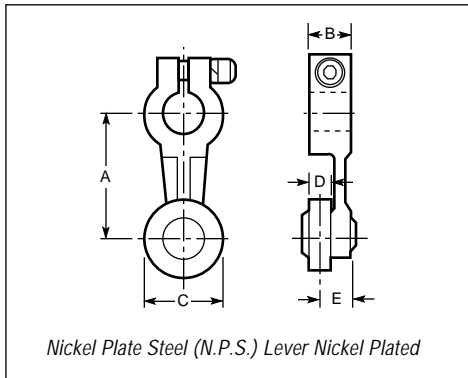
For Series EA040, 060, 080, 130,
140, 170, 700, 710, 730, 760,
770, 780, 790, 800, 880, 990 Only



Style M - Manual Type

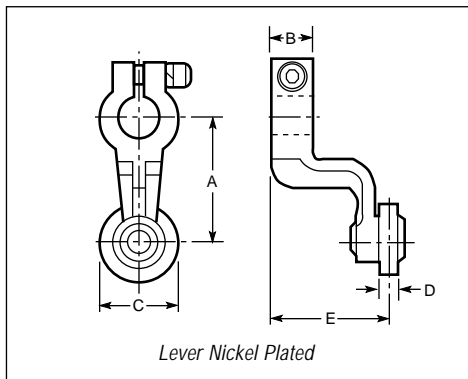
Ordering Numbers				Material	
Part Number	Reference	L	A	Lever	Knob
EL050-58900	D1260EP-3	3	1-3/8	Steel	Bakelite
EL050-59901	D1260EP-1	4-1/16	1-3/8	Steel	Bakelite
EL050-59900	D1260EP	6-5/16	1-3/8	Steel	Bakelite

For Series EA700, 710, 730, 760,
770, 780, 790, 800, 880, 990 Only



Straight

Ordering Numbers						Material		
Part Number	Reference	A	B	C	D	E	Lever	Roller
EL010-62401	SL-160	1-1/2	1/2	7/8	9/32	25/64	Zinc	Steel
EL010-63414	SL-160K	1-1/2	1/2	7/8	9/32	25/64	Zinc	S.S.
EL010-63415	SL-160N	1-1/2	1/2	7/8	9/32	25/64	Zinc	Nylon



Offset

Ordering Numbers						Material		
Part Number	Reference	A	B	C	D	E	Lever	Roller
EL020-63412	SL-160C	1-1/2	1/2	7/8	9/32	1-7/16	Zinc	Steel
EL020-63414	SL-160L	1-1/2	1/2	7/8	9/32	1-7/16	Zinc	Nylon
EL020-63415	SL-160S	1-1/2	1/2	7/8	9/32	1-7/16	Zinc	S.S.

NAMCO

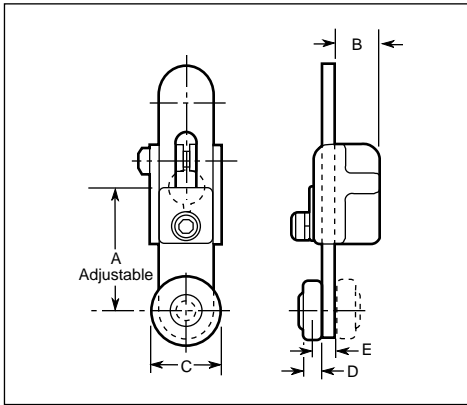
Namco Controls Corporation

Mayfield Village, OH 44143

(440) 460-1360 • FAX (440) 460-3800 • namcocontrols.com

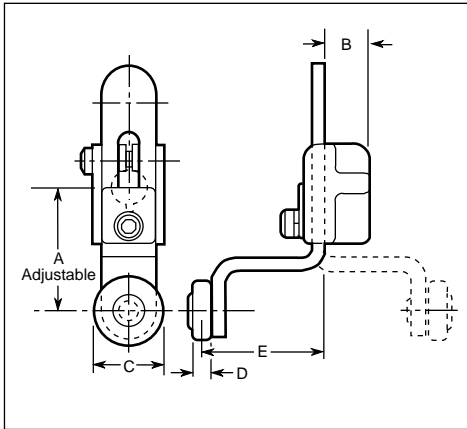
For technical assistance, call 1-800-NAMTECH

For Series EA700, 710, 730, 760,
770, 780, 790, 800, 880, 990 Only



Adjustable Straight

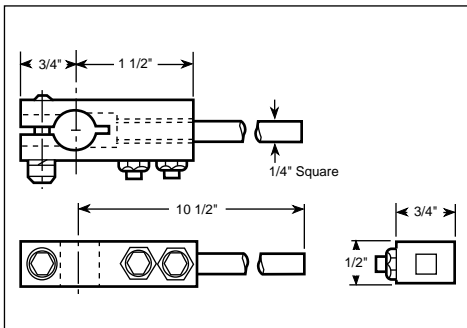
Ordering Numbers							Material		
Part Number	Reference	A	B	C	D	E	Lever	Roller	
EL120-60400	SL-170A	1-3/4-3	21/32	7/8	9/32	11/32	Steel	Steel	
EL120-60600	SL-170C	1-7/8-3	21/32	2	9/32	11/32	Steel	Steel	
EL120-69415	SL-170K	1-3/4-3	21/32	7/8	9/32	11/32	Steel	Nylon	
EL120-69421	SL-170R	3-3/4-5	21/32	7/8	9/32	11/32	Steel	Steel	
EL120-60601	—	3-3/4-5	21/32	2	9/32	11/32	Steel	Steel	



Adjustable Offset

Ordering Numbers							Material		
Part Number	Reference	A	B	C	D	E	Lever	Roller	
EL130-64410	SL-170	1-3/4-3	21/32	7/8	9/32	1-25/32	Steel	Steel	
EL130-69410	SL-170D	1-3/4-3	21/32	7/8	9/32	1-25/32	Steel	Nylon	
EL130-69412	SL-170F	1-3/4-3	21/32	7/8	9/32	2-3/8	Steel	Steel	
EL130-69413	SL-170G	1-3/4-3	21/32	7/8	9/32	3-1/2	Steel	Steel	
EL130-69414	SL-170J	1-3/4-3	21/32	7/8	9/32	15/16	Steel	Steel	
*EL130-69411	SL-170E	1-3/4-3	21/32	7/8	9/32	1-9/32	Steel	Steel	
EL130-20401	—	1-3/4-3	21/32	7/8	17/64	3-1/2	Steel	Nylon	

*Roller mounted on opposite side

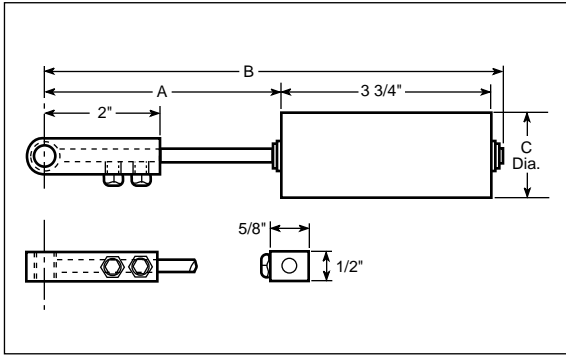


Rod Lever

Ordering Numbers			
Part Number	Reference	Dimensions	Material
EL140-69917	SL170M-1	Other rod lengths available to suit requirements	Steel Rod

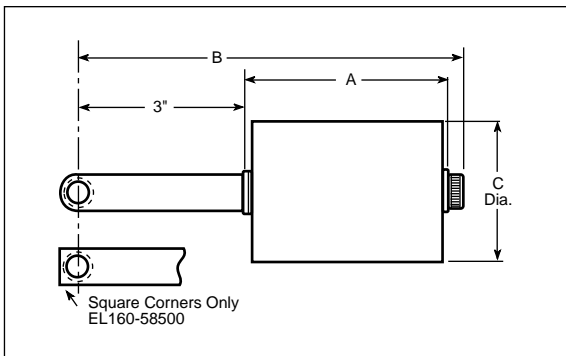
EL Series

For Series EA040, 060, 080, 130,
140, 170, 700, 710, 730, 760, 770,
780, 790, 800, 880, 990 Only



Style VR - Belt Mis-Alignment Lever-Adjustable

Ordering Number	"A"	"B"	"C"	Material	
	(Adjustable)	Max.	Dia.	Lever	Roller
EL140-58500	4.45/3.82"	8.38"	1.50"	Steel	Delrin
EL140-58600	4.45/3.82"	8.38"	2.50"	Steel	Delrin



Style YR - Belt Mis-Alignment Lever

Ordering Number	"A"	"B"	"C"	Material	
		Max.	Dia.	Lever	Roller
EL160-58500	2.24"	5.64"	1.25"	Steel	Nylon
EL160-58600	3.50"	6.90"	2.50"	Steel	Nylon

Limit Switches

NAMCO

Namco Controls Corporation

Mayfield Village, OH 44143

(440) 460-1360 • FAX (440) 460-3800 • namcocontrols.com

For technical assistance, call 1-800-NAMTECH